

ACS-PT Esmart Classic

Cabinet lock/Cupboard lock

COMFORT/SECURITY/EASY MANAGEMENT

The ACS-PASSTECH Esmart Classic range of electronic cabinet locks is designed to control the use (entry) of mainly wardrobes, cabinets but also desk drawers, storage cupboards, changing cabins, first aid kits. It is especially ideal for spa and wellness facilities, fitness centers, water parks, but also schools, ski resorts, etc.

Cabinet locks ACS-PT is the most sophisticated product from our offer. Thanks to the very sophisticated operating software, it offers an incredible range of setting options and operating modes, including a wireless online solution.



PROPERTIES

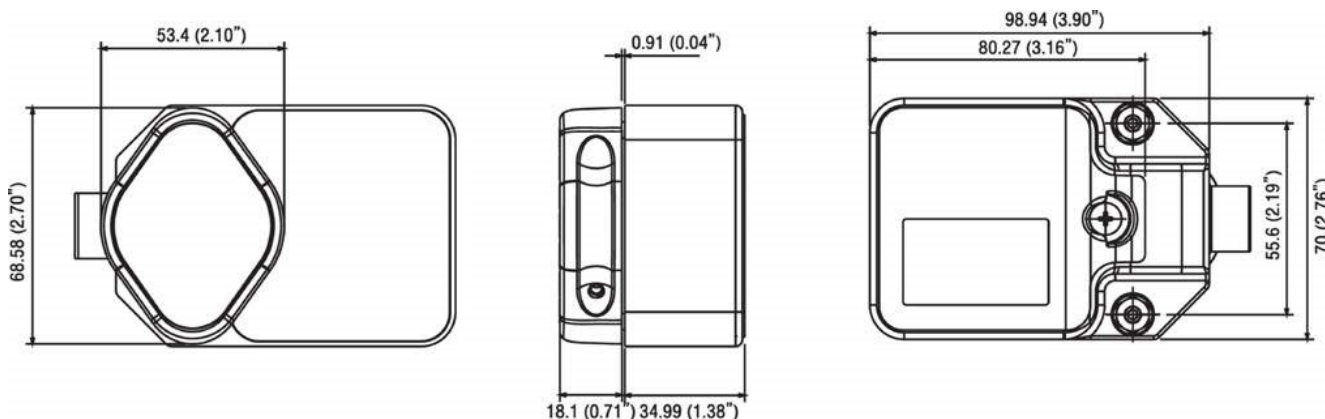
- : Control via mobile phone
- : Self-registration / obtaining a password using the application
- : Simple system and operation
- : Opening using - RF card, PIN, mobile phone
- : "Free choice" or "fixed lockers" mode
- : Automatic door opening at a preset time
- : Setting the door opening time limit
- : Works in offline mode
- : Waterproof and works at low and high temperatures
- : The installation itself is very simple
- : 4 standard AA alkaline batteries
- : Supported protocol - ISO14443 Type A / B, Felica, Mifare Classic / Ultralight / DESfire NFC smartphone
- : FCC, CE KCC and ADA certification

SPECIFICATIONS

Power supply:	4xstandardní alkalické baterie AA / 6V
Battery life:	12 měsíců provozu /10 x denně
Applicable technologies:	Hlavní CPU 8bitový mikroprocesor
RF protocol:	13.56Mhz ISO 14443 Type A (basic)
Media format:	Plastová karta, přívěsek,
Material:	Plastová konstrukce a ABS
External dimensions (h x w x d):	53.34 x 19.54 x 68.58mm
Internal dimensions (h x w x d):	98.9 x 34.99 x 70.00mm
Operating humidity:	≤98%
Operating temperature:	-10°C to 60°C:

FUNCTIONS

- Low battery alarm (then opens/closes 150 more times)
- Unique control algorithm, no copying possible
- Operating mode - Free cabinet selection/ Pre-set selection /
- Multi-cabinets / Multiple users / Matrix / 3-shift



ACS Solution Zbyněk POCHMANN
manažer obchodu

Kočova 514 / 20
181 00 Praha 8
Česká Republika

tel. +420 776 784 744
email: pochmann@acssolution.cz
www.acssolution.cz

www.acssolution.cz

The leader in door opening solution

Aktualizováno: 2/2019 | ACS Solution s.r.o. Specifikace se mohou měnit bez předchozího upozornění Poznámka: Barvy obrázků v této brožurě se mohou lišit od skutečných barev